

SPARE PARTS SECTION

SECTION & TUBE ROLLING MACHINE

MODEL. RR-24

Order Code S682

EDITION No : RR-24-1

DATE OF ISSUE : 02/2022

The following section covers the spare parts diagrams and lists that were current at the time this manual was originally printed. Due to continuous improvements of the machine, changes may be made at any time without notification.

HOW TO ORDER SPARE PARTS

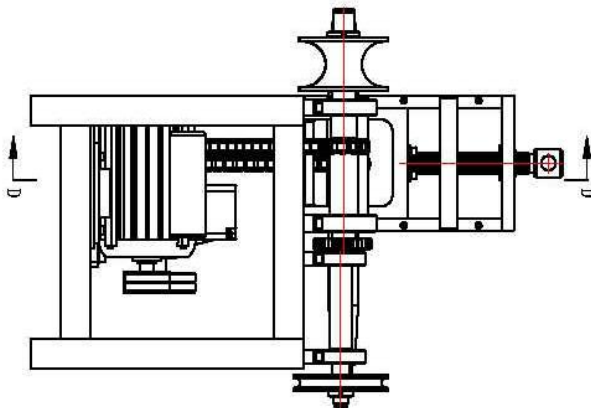
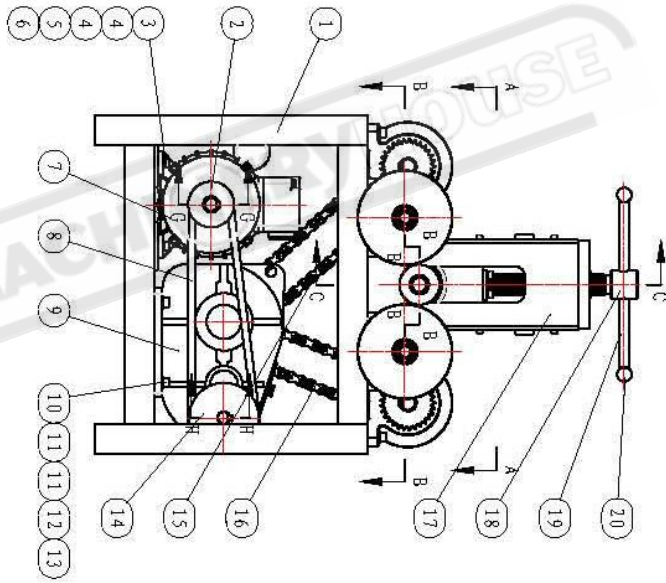
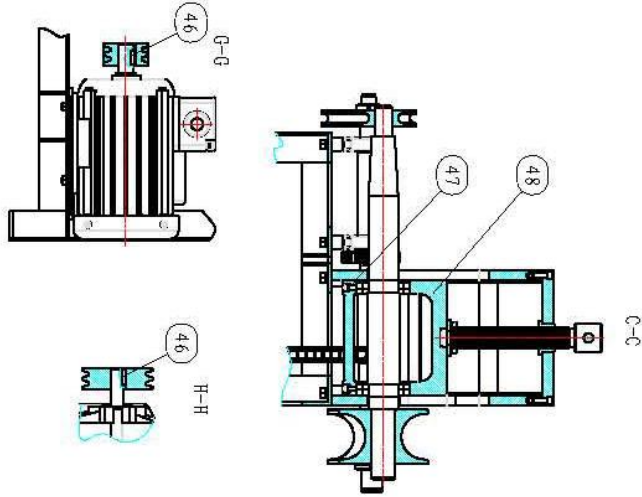
1. Have your machines model number, serial number & date of manufacture on hand, these can be found on the specification plate mounted on the machine
2. A scanned copy of your parts list/diagram with required spare part/s identified.

NOTE: SOME PARTS MAY ONLY BE AVAILABLE AS AN ASSEMBLY

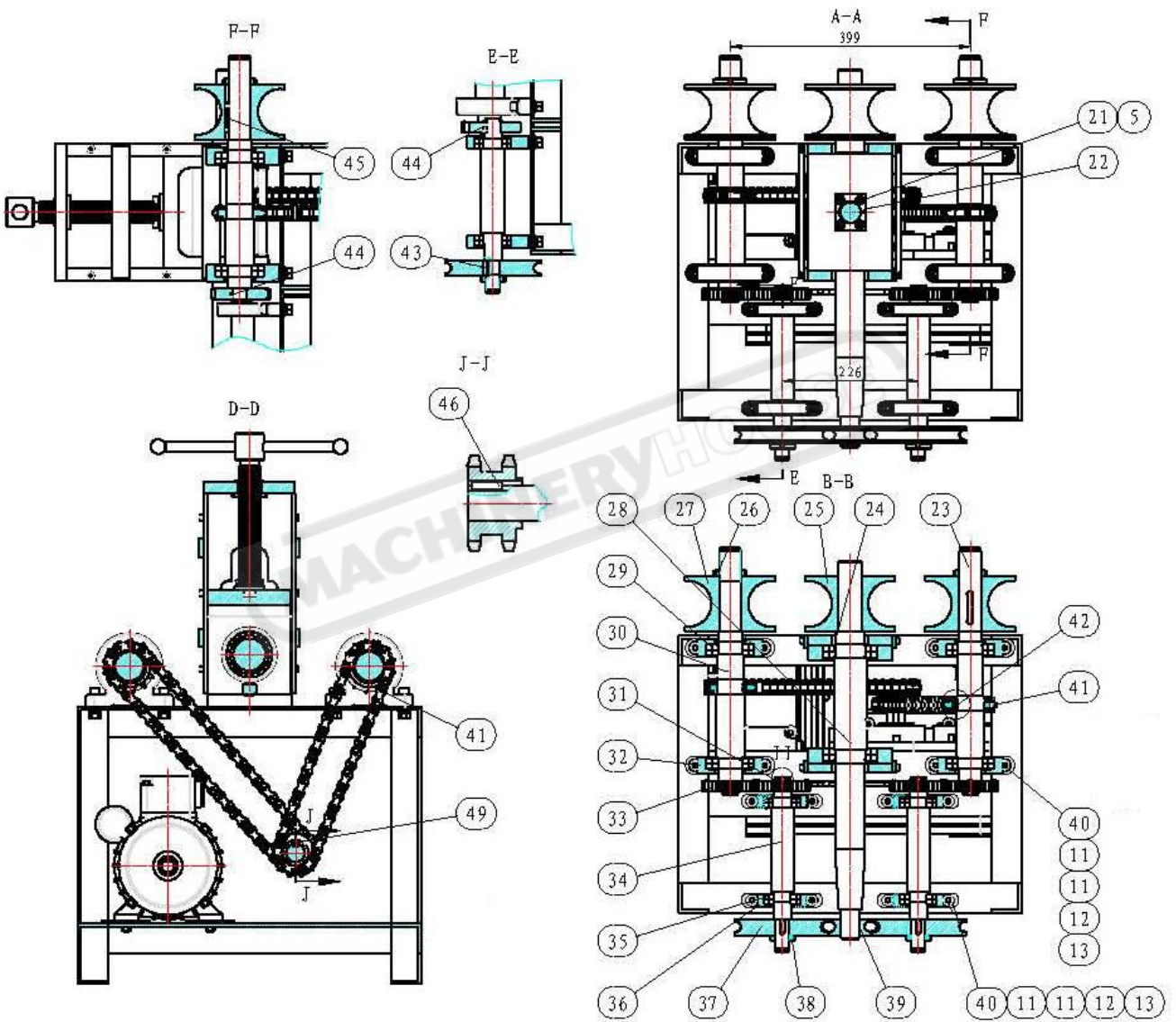
3. Go to www.machineryhouse.com.au/contactus and fill out the inquiry form attaching a copy of scanned parts list.

NOTE: SOME INDIVIDUAL PARTS MAY ONLY BE AVAILABLE AS AN ASSEMBLY

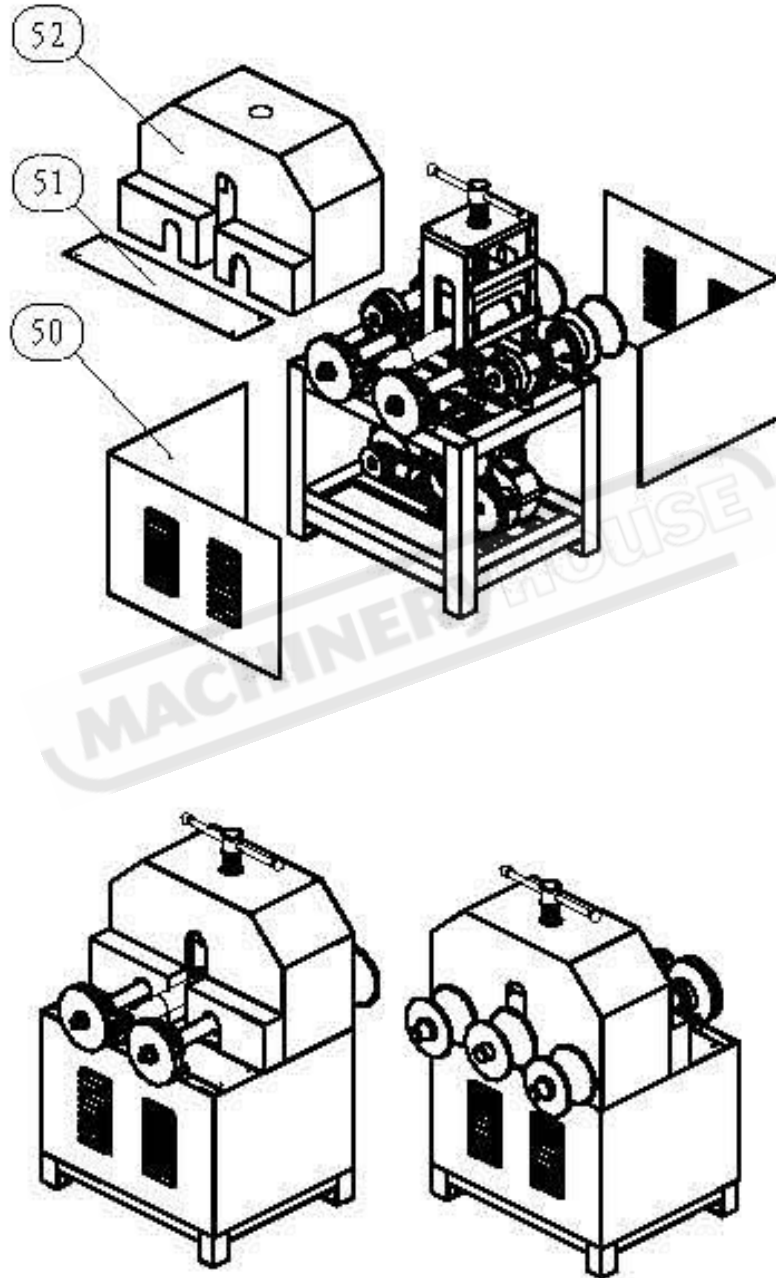
SPARE PARTS DIAGRAMS



SPARE PARTS DIAGRAMS



SPARE PARTS DIAGRAMS



SPARE PARTS LIST

No.	Part No.	Description	Qty
1	HHW-76B-001	Stand	1
2	HHW-76B-002	Small Pulley	1
3	GB/T70.1-2007	Screw M8x30	4
4	GB/T97.1-2002	Flat Washer M8	8
5	GB/T93-1987	Washer M8	8
6	GB/T 41-2000	Nut M8	4
7	YL90L-4	Motor	1
8	A940LI	Belt	2
9	J0Q150	Reducer	1
10	GB/T70.1-2007	Screw M10x30	4
11	GB/T97.1-2002	Flat Washer	40
12	GB/T93-1987	Washer	20
13	GB/T 41-2000	Nut M10	20
14	HHW-76B-003	Big Pulley	1
15		Chain	1
16		Chain	1
17	HHW-76B-004	Base	1
18	HHW-76B-005	Adjust Screw	1
19	HHW-76B-006	Handle	1
20		Handle Knob	2
21	GB/T70.1-2007	Screw	4
22	HHW-76B-007	Block	2
23	HHW-76B-008	Shaft	1
24	GB/T 276-1994	Bearing	2
25	HHW-76B-009	Wheel	1
26	GB/T 812-1988	Nut	2
27	HHW-76B-010	Wheel	2
28	HHW-76B-011	Shaft	1
29	GB/T 279-1994	Bearing	4
30	HHW-76B-012	Shaft	1
31	GB/T894.1-1986	Washer 25	4
32	HHW-76B-013	Bearing Base	4
33	HHW-76B-014	Gear	4
34	HHW-76B-015	Shaft	2
35	GB/T 276-1994	Bearing	4
36	HHW-76B-016	Bearing Base	4
37	HHW-76B-017	Wheel	2
38	GB/T 812-1988	Nut	2
39	HHW-76B-018	Wheel	1
40	GB/T70.1-2007	Screw M10x40	16

SPARE PARTS LIST

No.	Part No.	Description	Qty
41	HHW-76B-019	Chain Wheel	2
42	GB1096-79	Flat Pin 12x18	2
43	GB1096-79	Flat Pin 8x25	2
44	GB1096-79	Flat Pin 8x18	4
45	GB1096-79	Flat Pin 10x50	2
46	GB1096-79	Flat Pin 8x30	3
47	GB/T70.1-2007	Screw M8x15	2
48	HHW-76B-020	Block	1
49	HHW-76B-021	Chain Wheel	1
50	HHW-76B-022	Cover	2
51	HHW-76B-023	Plate	1
52	HHW-76B-024	Cover	1

MACHINERYHOUSE